

Professional Speaker System

专业音箱扬声器系统

Professional Speaker System
专业音箱扬声器系统

USER' S MANUAL

使用说明书

Our company reserves the right of final explanation.
本公司保留最终解释权

Professional Speaker System 专业音箱扬声器系统

PREFACE

前言

Thanks for using our products; we would launch more advanced pro audio products through constant innovation and technology development, as well as taking the advanced computer technology to the audio products. All our products would be used to those areas: small karaoke room, the big club, supplement sound of stage and main audio system of stage.

承蒙阁下惠顾使用本公司产品, 本公司经过不断创新, 配合先进的电脑科技, 不断探索, 推出具有更高水准的音响系统。从小型卡拉OK包房到大型卡拉OK歌舞厅, 从舞台补声到舞台主扩音, 产品囊括整个专业领域。

Our professional speaker system has taken HSI isotropic horn with the high-energy compression driver; besides takes High- temperature- resistant KAPTON driver framework and high-intensity CCAW voice coil as well as precise design to sound localization, all those advantages to assure a clear and original sound quality. Low driver (woofer) has a high-magnetic- energy magnet and has a highly efficient cone to reappear the strong sound field.

本公司专业音箱系统采用恒指向性号角配合高能压缩驱动器, 运用耐高温 KAPTON骨架、高强度CCA W音圈、高辐射相位设计, 保证高效清晰的声音还原, 低音单元采用高磁能积磁钢, 高效振盆提供强有力的声场再现。

We take reliable partial sound technology to design the crossover and take highly precise (J level) components to equipment it. Meanwhile there is a good circuit protection inside. Finally all those factors make driver work safely, also high stability.

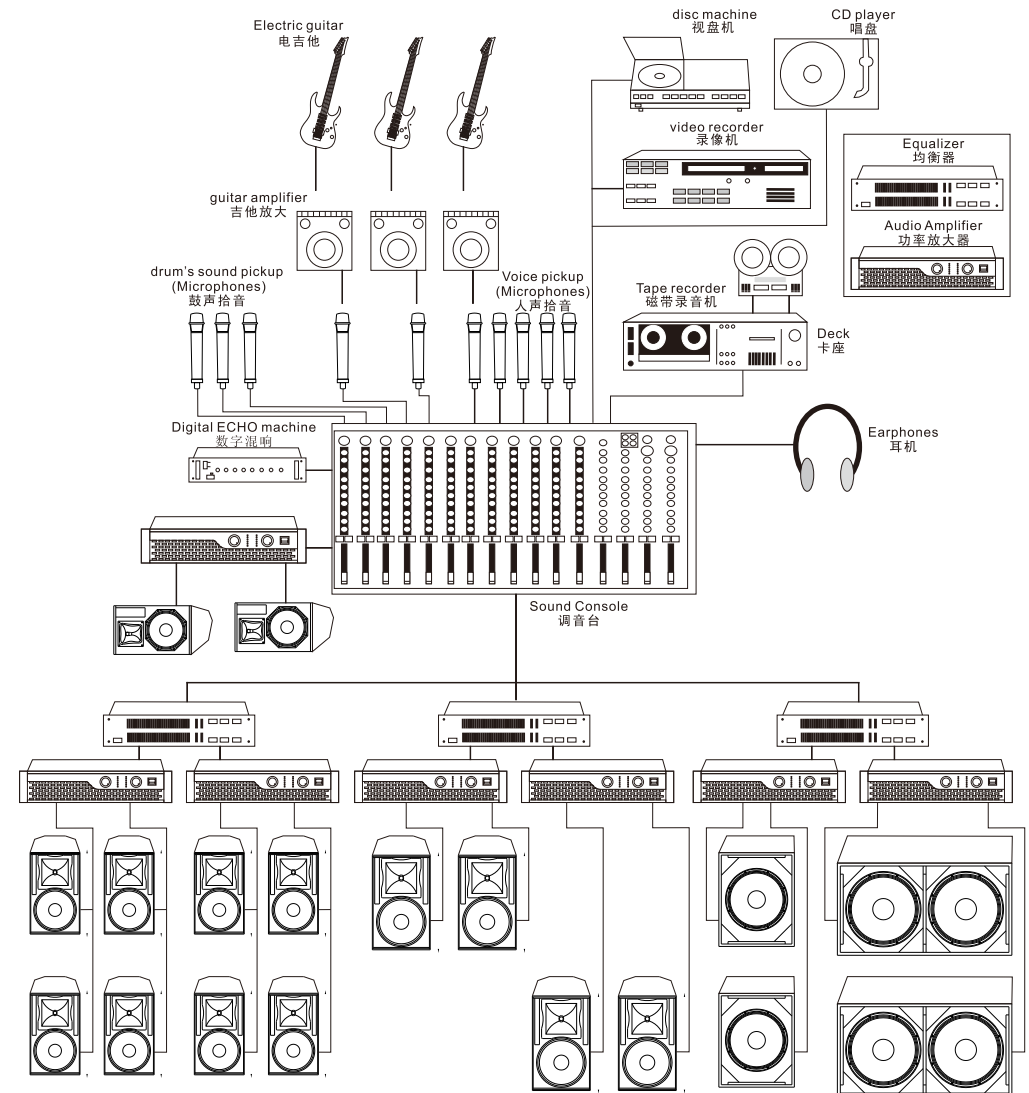
分频器采用高效可靠性分音设计, 运用J级高精密、低损耗零件, 配合保护电路, 确保整体平衡及超负荷时安全工作。

Thanks for your trust.

谢谢阁下的信赖

Professional Speaker System 专业音箱扬声器系统

Connection map to the audio system 系统连接总图

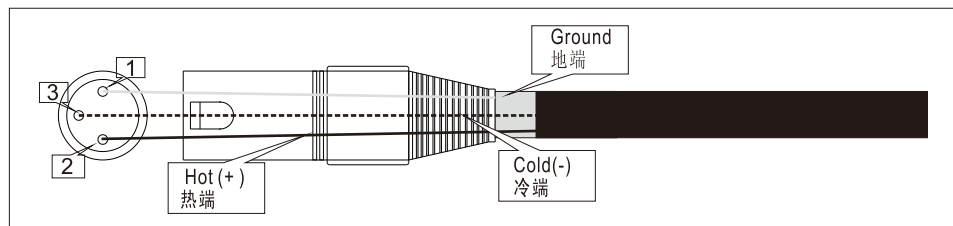


Professional Speaker System

专业音箱扬声器系统

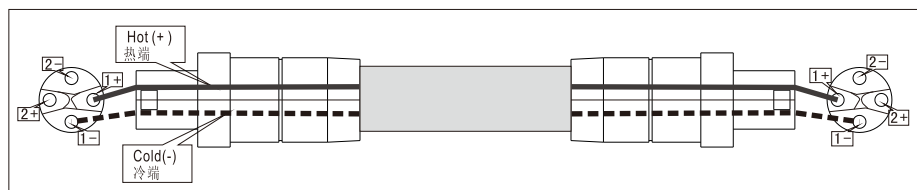
Connect signal wire by XLR Balanced Input

卡侬XLR平衡连接信号线



Connection between speaker and amplifier

音箱与功放连接



Product parameters

产品参数

频率范围 Frequency response 57HZ-18KHZ

单元配置 Driver LF:10"×1, HF:3"×2

阻抗 Nominal Impedance 8Ω

灵敏度 System Sensitivity 91DB

额定功率 Rated Power 100W

最大功率 Peak Power 200W

最大声压 Maximum 114DB

箱体 Enclosure 12mm中纤

表面处理 Surface Treatment 灰色PVC

净重 Net Weight 9KG

外型尺寸 Size 514L×277D×295H

包装尺寸 Package size 670L×365D×582H

Professional Speaker System

专业音箱扬声器系统

The Introduction to Professional audio system

专业系统简介

General Series:

Have powerful woofer and advanced high driver, and then supply strong audio effect

通用系列:

拥有大功率低音扬声器和压缩高音驱动器, 提供强大的主场扩音。

Karaoke Series:

Designs them for Karaoke room specially and have wonderful sound quality, those speakers are very suitable for small and medium Karaoke room.

卡拉OK系列:

专为卡拉OK设计, 音域宽阔动听, 适合于中小型卡拉OK包房。

Monitor Speaker series

To design those speakers for stage monitor specially and to perfect concert performance effect, and also they have become the required audio equipments for big concert.

监听系列:

专为舞台监听而设计, 提高演出效果, 是大型演唱会必选设备。

Subwoofer Series:

Subwoofer effect can extend to 30Hz, and sound pressure can reach 130dB.

超低音系列:

超低音延伸至30Hz, 声压可达130dB。

Professional Speaker System

专业音箱扬声器系统

Daily operation and maintenance to the audio system

音响系统日常使用及维护

1. When use new speaker and amplifier at the first time, please adjust them from low to high gradually.
新音箱、功放在首次使用时，应从小到大递增；
2. Please install the speaker and amplifier in the fixed place and reduce the demolition to them;
音箱、功放尽量安装在固定的地方，减少拆卸；
3. Better to install speaker symmetrically and forward the user, meanwhile the spread direction of treble is higher than people's ear.
音箱最好对称安装、正对使用人、高音辐射方向稍微高于人耳；
4. The output of amplifier needs to match the power load from speaker; the output power of amplifier is 0.2-2 times higher than speaker's load. The total load impedance of speaker can't be less than minimum impedance of amplifier. (Typically 2Ω)
功放输出要与音箱负载相配比，功放输出功率要高于音箱负载功率0.2-2倍，音箱总负载阻抗不低于功放能承受的最低阻抗（一般为 2Ω ）；
5. the connection between speaker and amplifier:
音箱与功放连接为：
 - (1). Connections to terminal: the A positive pole (red terminal) of amplifier output needs to connect the left speaker's positive pole (red terminal or the speaker's XLR 1+), the A negative pole (black terminal) of amplifier output needs to connect the left speaker's negative pole (black terminal or the speaker's XLR 1-);the B positive pole (red terminal) of amplifier output needs to connect the right speaker's positive pole (red terminal or the speaker's XLR 1+), the B negative pole (black terminal) of amplifier output needs to connect the right speaker's negative pole (black terminal or the speaker's XLR 1-)
接线柱连接方式：功放输出A正极（红端子）接左边音箱正极（红端子或音箱用的卡侬1+），功放输出 A负极（黑端子）接左边音箱负极（黑端子或音箱用的卡侬1-）；功放输出B正极（红端子）接右边音箱正极（红端子或音箱用的卡侬1+），功放输出B负极（黑端子）接右边音箱负极（黑端子或音箱用的卡侬1-）；

Professional Speaker System

专业音箱扬声器系统

Connection to wires

连接线材

the introduction to the connecting wires

下面说明一下所使用的线材

To use signal wire only when connect amplifier with mixer or preprocessor (this wire is made by a shielding net and two wires inside together), don't use electricity cable (the speaker wire has a larger cross-sectional area and is made by two wires only)The hum and background noise would be happed if use the wires without shielding net. Generally amplifiers and sound peripheral have taken the Balanced Input which will eliminate or reduce the interference of the input line. Many well-know sound experts recommend users to take the Balanced Input when connecting amplifier with other pre-processor audio equipments. When connect amplifier with speakers, generally use the audio cable, not signal wire, the main reason is that the signal wire with small cross- sectional area can dissipate the output power from amplifier. In order to protect wires, generally grasp the end of the wire to avoid roll up them, and don't pull and bend wires. If so, it would reduce the reliability of the wires. Besides needs to check the wires regularly. Some problems would be caused if cables has problem.

连接功放和调音台或前级处理器,只使用信号线(这种线由一个屏蔽网和屏蔽网内的两根线组成),不要使用电线电缆(音箱线,截面积较大,由两根组成)。使用没有屏蔽网的线材会引起嗡嗡声和背景噪声。各系列功放和音响周边都是平衡输入的,这种设计会消除或减少输入线上的干扰。很多知名专家一直以来都建议尽量在连接功放与其它前置音频设备时采用平衡输入的方式。连接功放和音箱,通常只使用音频电缆线,而不是信号线,因为截面积较小的信号线会耗散功放输出功率。注意保护线材,通常抓住线材末端而提起它,避免在卷起时,拉扯和强力弯曲线材,因为这样会缩短它们使用寿命和降低可靠性。定期检查线材,检查线材是否正确和接触是否良好。实际上,很多问题是由于连接线材有问题而引起的。

Professional Speaker System 专业音箱扬声器系统

4. Use tools (or stage machine) to lift the speaker, and put the safety clasp into the screw rings. Then finish hanging the speaker.

用工具（机械）将音箱抬起，安全扣扣入螺丝吊环，完成音箱吊挂。

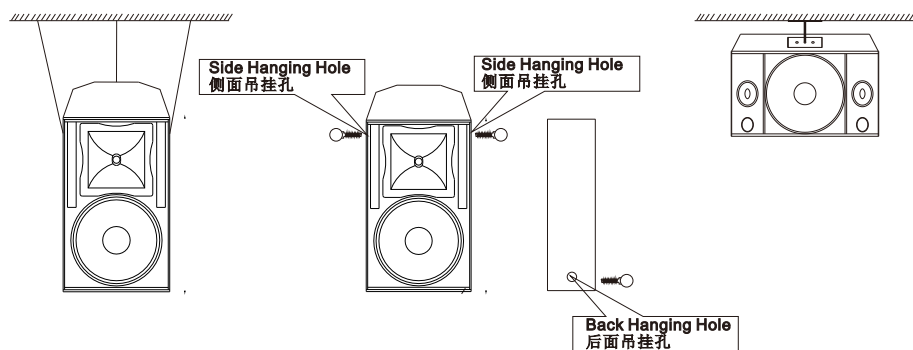
The hanging way above for your reference.

以上吊挂方法仅供参考

Special Attention:

注意事项:

1. The hanging point must be able to withstand 3-5 times gravity than speakers'.
吊挂点必需能承受住音箱的3-5倍重力；
2. The hanging iron rope (or steel chain) must be able to withstand 3-5 gravity than speakers'.
吊挂使用的钢绳或铁链必须能承受住音箱的3-5倍重力；
3. The Hanging must be solid and firm.
吊挂各部必须坚实牢固；
4. The hanging place needs to be far away the crowded;
吊挂音箱位置尽量避开人流大的地方。



Professional Speaker System 专业音箱扬声器系统

(2). The connection to XLR: A XLR of amplifier output to connect the left speaker's XLR, B XLR of amplifier output to connect the right speaker's XLR; please pay attention to this rule when use XLR of amplifier (or speaker): "1+" means positive pole and "1-" means negative pole.

卡侬连接方式：功放输出A卡侬与左边音箱卡侬相接，功放输出B卡侬接右边音箱卡侬相接，功放用卡侬和音箱卡侬均采用1+为正极，1-为负极；

(3). The bridging to pro amplifier: A positive pole (red terminal) of amplifier output / the speaker's positive pole (Speaker's XLR 1+), B positive pole (red terminal) of amplifier output / the speaker's negative pole (Speaker's XLR 1-);

专业功放桥接连接方式：功放输出A正极（红端子）音箱正极（音箱用的卡侬1+），功放输出B正极（红端子）音箱负极（音箱用的卡侬1-）；

6. Before use speaker and amplifier, Please be sure that the cables are connected very well and adjust volume from low to high gradually.
音箱、功放使用前，线要连接正确并且音量要由小到大逐渐递增；
7. Don't use speaker when any distortion happened, such as signal distortion (Amplifier's Indicator light is working), driver distortion (Amplifier's Indicator light is not working and speaker driver has broken sound), and so on.
音箱不要在失真下工作，比如信号失真（功放红指示灯亮），喇叭失真（功放红指示灯不亮，喇叭发出破音）等；
8. There is a regular checking to the fixed position of speaker, power supply, signal cable, and audio cable.
音箱固定位、电源、信号线、音频线应进行定期检查；
9. To clear the dust from speaker and amplifier regularly, especially amplifier, sound source and peripheral ;
音箱、功放应定期去尘、清洁，尤其是功放、音源及周边；
10. Don't use organic solvent (or water) when clear dust from those equipments (speaker, amplifier sound source and peripheral), just use a soft cloth to wipe the equipments; when clear the sound source and peripheral, better to use a dry soft cloth to wipe them.
音箱、功放、音源及周边去尘、清洁时，不要使用有机溶剂和清水，用软干布即可；音源及周边去尘、清洁时，最好使用比较柔软的干布；

Professional Speaker System

专业音箱扬声器系统

Installation of Speaker

音箱安装

1. In order to enlarge the sound spread, better to make the spread direction of treble is higher than people's ear.
为扩大聆听空间声音的投射作用,宜将高音中心部位对着高于耳朵水平的位置。
2. In order to reduce the sound feedback, please don't put microphone in front of speaker.
为减小回馈勿将麦克风放置于音箱前面。
3. In order to avoid the damage (or drop), please put it on the stable surface.
请勿将音箱放置于不稳定的平面,以免跌落,造成损毁。

Installation 1

安装1

To use stage tripod

使用舞台三角架

1. Open stage tripod in a suitable support angle and tighten the knob on the tripod, then plug the pin tightly.
舞台三角架支开适合的支撑角度,拧紧支架上的旋钮,并插好插梢。
2. Put the speaker base insert the tripod perpendicularly.
音箱底座垂直轻轻插入支架支撑柱支撑。

Special Attention:

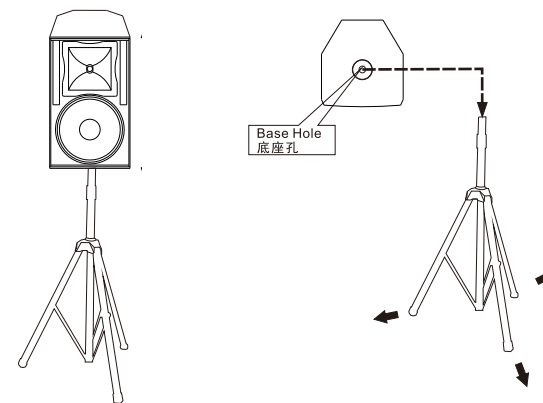
注意事项:

1. Please be sure that the support angle can hold the speaker tightly, and can't drop from the tripod.
支架支开的角度一定要能承受住音箱,保证音箱不易倒下;

Professional Speaker System

专业音箱扬声器系统

2. In order to avoid the speaker's drop, please be sure that the speaker on the tripod is far away the crowded place.
支架支起的音箱尽量避开人群,以免人为造成音箱摔倒,伤及到他人。



Installation 2

安装2

To hang the Speaker.

专业音箱吊挂

1. The steel framework (or holes) needs to be ready when hanging the speaker.
在要吊挂音箱的位置装好吊挂音箱时所需要的铁架或孔位等;
2. The long enough iron rope (or steel chain) needs to be ready in the hanging place, and also install a safety clasp at the other end.
在吊挂位装好使用的吊挂铁绳或铁链,并确定好长度,在另一端装好安全扣;
3. Install screw ring on the speaker (generally hanging hole in two sides, or at the bottom of the back).
音箱上装好螺丝吊环(一般使用两上侧面和后面下方的吊挂孔);